

Minetruck MT436B

Underground articulated truck
with 32.6-metric tonne load capacity



Reliable underground haulage

Minetruck MT436B is an articulated underground truck with a 32.6-metric tonne load capacity for medium to large mining and construction operations

⊕ Main benefits

Safety first Minetruck MT436B has many built-in safety features to secure your operations

Maximum productivity thanks to the well-tested, reliable systems and components that have been continually refined on the easy to operate Minetruck MT436B

Ergonomically designed for fast and efficient preventive maintenance and service and a cabin which allows the operator to work safe and comfortable





The optional cabin places the truck driver in a comfortable, spring suspended forward seated seat within a pleasant, pressure-controlled work environment.



The optional air conditioning system available for the cabin provides cool air when desired and is contained with a sturdy, easy accessible box for trouble-free maintenance.



Minetruck MT436B can be equipped with a Teletram dump box, which pushes material off horizontally so it can be released in lowered areas with a low back height.

Dump box, specially adapted to mining operations for greater longevity



Rear camera

Equipped with safety lock's for articulation and dump box

*Optional equipment

Features

Safety

- ISO ROPS and FOPS certified canopy with back protection
- SAHR brake system with durable components for reliability and cost efficiency
- Rear camera and monitor for driver assistance and increased safety
- Box up stand and articulation lock for safe work on the machine

Comfort

- Ergonomically designed operators compartment with focus on safety and reduced operator fatigue
- Minetruck MT436B is available in both forward seated and side seated configuration to suit your needs

Sustainability

- Engine compression brake to reduce braking heat and extend brake longevity
- Electric transmission shift control for convenient shifting
- Converter lockup for more efficient energy transfer, less heat and longer component life
- Durable articulated hinge that adjusts automatically with heavy-duty, tapered roller bearings to absorb stress
- High-intensity LED lights for great visibility and long life

Productivity

- 32.6 metric tonne capacity
- Articulated steering results in great maneuverability
- Proven power train components for reliable productivity, low running cost and a longer life

Serviceability

- Filters and service points are easy to reach
- Centralized manual lubrication for easier maintenance



Specifications

Capacities	
Tramming capacity	32 650 kg
Motion times	
Dumping	14 sec
Weights (standard equipped vehicle, empty weight)	
Approximate weight	30 600 kg
Axle load, front end	20 500 kg
Axle load, rear end	10 100 kg

Engine

Standard	
Brand/model	Detroit Diesel DDS60, EPA Tier 2
Power rating	298 kW/400 hp @ 2 100 rpm
Maximum torque	1 898 Nm @ 1 350 rpm
MSHA Part 7 ventilation rate	708 m ³ /min
MSHA Part 7 particulate index	212 m ³ /min
Optional	
Brand/model:	Cummins QSM11 EPA Tier 3
Power rating	298 kW/400 hp @ 2100 rpm
Maximum torque	1 898 Nm @ 1 350 rpm
MSHA Part 7 ventilation rate	396 m ³ /min
MSHA Part 7 particulate index	311 m ³ /min

Equipped with dry type air cleaner, catalytic exhaust purifier and silencer, exhaust heat protection, remote engine oil and cooling fluid drain, cooling package with V-core tube type radiator.

Fuel

Fuel tank capacity: 439 litres	●
Fuel filtration, primary, including water trap: 8 µm	●
Fuel filtration, secondary: 3 µm	●

Axles

Brand/model: Okubo Rock Tough 508	●
Degree of front axle oscillation: 18° (9° on each side)	●
Differentials: front open	●
Differentials: rear open	●

Brakes

Fully enclosed, force-cooled, multiple wet discs at each wheel end	●
Service/parking/emergency brakes: SAHR	●
Engine compression brake	●
Brake apply after 3 sec in neutral	○
Electric brake release pump	○

Tires

Tubeless tire design for underground mine service*	●
Tire size front and rear: 26.5R25	●

*As applications and conditions vary, Epiroc recommends that the user consults with tire suppliers to obtain the optimum tire selection.

Electrical

System voltage: start and accessories 24 V	●
Mine duty high output alternator: 140 Amps	●
Isolation switch lockout	●
24/12 V converter	●
Driving lights LED: 9x40 W	●
Tail and brake lights	●
Load lights	○
Side light - opposite operator	●
Front and rear red lights	○
Detachable service light (required for CE approved vehicles)	○
Amber strobe light - power on	○

Operator's compartment

Side seated canopy for bi-directional operation (ISO ROPS and FOPS)	●
Front seated cabin with steering wheel (ISO ROPS and FOPS)	○
Side seated canopy for bi-directional operation with steering wheel (ISO ROPS and FOPS)	○
Side seated cabin for bi-directional operation (ISO ROPS and FOPS)	○
Open door retainer	●
Spring seat suspension seat with 2-point retractable seat belt	●
Sliding window on door	●
Air condition system	○
Heater	○
Sound level in cabin according to ISO 6396 Lpa 85 dB(A)	
External sound level according to ISO 6395 LwA 123 dB(A)	
Sound level in canopy according to ISO 6396 LpA 104 dB(A)	
Whole body vibration value A(8)w in range of 0.5 to 2m/s ² (typical value for similar machines)	

Hydraulic system

Heavy duty gear type pumps	●
System pressure: 15.8 MPa	●
Hydraulic tank capacity 238 litres	●
Filtration, return line: 4 µm	●
Electric pump for hydraulic tank fill, 24 V	○
Manual pump for hydraulic tank fill	●
Chrome plated stems on cylinders	●

Transmission

Full power shift, 4 speed forward/reverse	●
Brand/model: Dana 6000 series	●

Converter

Converter: single stage with lock-up	●
Brand/model: Dana CL-8000 series	●

Parts and services

Preventive maintenance kits	○
Repair and rebuild kits	○
Upgrade kits	○
Shop mechanics tool set	○

Control system

Rear camera and monitor	●
Audio-visual reverse alarm	●
Speedometer	○
Blockout 3rd and/or 4th gears	○
Joystick controls for steering and dump control for side seated bi directional operation	●
Certiq - telematics system*	○
*Certain country restriction may exist	

System

Ansul manually activated fire suppression system with engine shut down	○
Hand held fire extinguishes	○
Emergency steering	○
Load weighing	○
Wiggins fast fuel fill	○
Wiggins fast fill for engine oil	○

Main frame

Lock on articulation and raised dump box	●
Optional box sizes and tailgate configuration	○
Wheel chocks and brackets	○
Knockdown construction	○
Central manual lubrication system	●
Central automatic lubrication system	○

*Teletram box has reduced capacity, different dimensions affecting turning radius etc. More sizes can be available, please consult Epiroc for more information.

Power unit

Arctic oil	○
Block heater (240 V)	○
Corrosion resistant radiator	○

Technical specifications

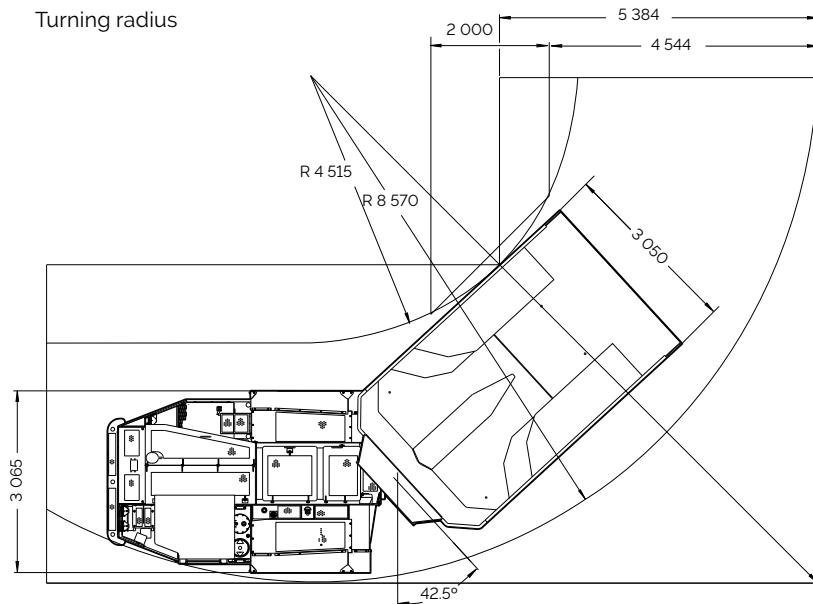
Grade performance*

Standard configuration, box empty												
%	Grade	0.0	2.0	4.0	6.0	8.0	10.0	12.0	14.0	16.0	18.0	20.0
Ratio	Grade	-	-	-	-	1:12	1:10	1:8	1:7	-	-	1:5
Km/h	1st gear	5.5	5.5	5.5	5.4	5.4	5.4	5.4	5.4	5.4	5.4	5.3
	2nd gear	9.8	9.7	9.7	9.7	9.6	9.6	9.5	9.5	9.4	9.4	9.3
	3rd gear	17.3	17.1	17.0	16.9	16.7	16.6	16.0	14.7	13.4	12.0	-
	4th gear	30.7	30.2	29.8	27.4	23.1	-	-	-	-	-	-
Standard configuration, box loaded												
%	Grade	0.0	2.0	4.0	6.0	8.0	10.0	12.0	14.0	16.0	18.0	20.0
Ratio	Grade	-	-	-	-	1:12	1:10	1:8	1:7	-	-	1:5
Km/h	1st gear	5.5	5.4	5.4	5.4	5.3	5.3	5.3	5.3	5.2	5.2	5.0
	2nd gear	9.7	9.6	9.5	9.4	9.4	9.0	8.1	7.2	6.2	-	-
	3rd gear	17.1	16.8	16.3	13.6	-	-	-	-	-	-	-
	4th gear	30.0	24.5	-	-	-	-	-	-	-	-	-

*These are theoretical calculations and should be seen as a reference only. 3% rolling resistance assumed. Actual performance may vary depending on the application. Continuous operation is recommended on maximum 1:7 grade.

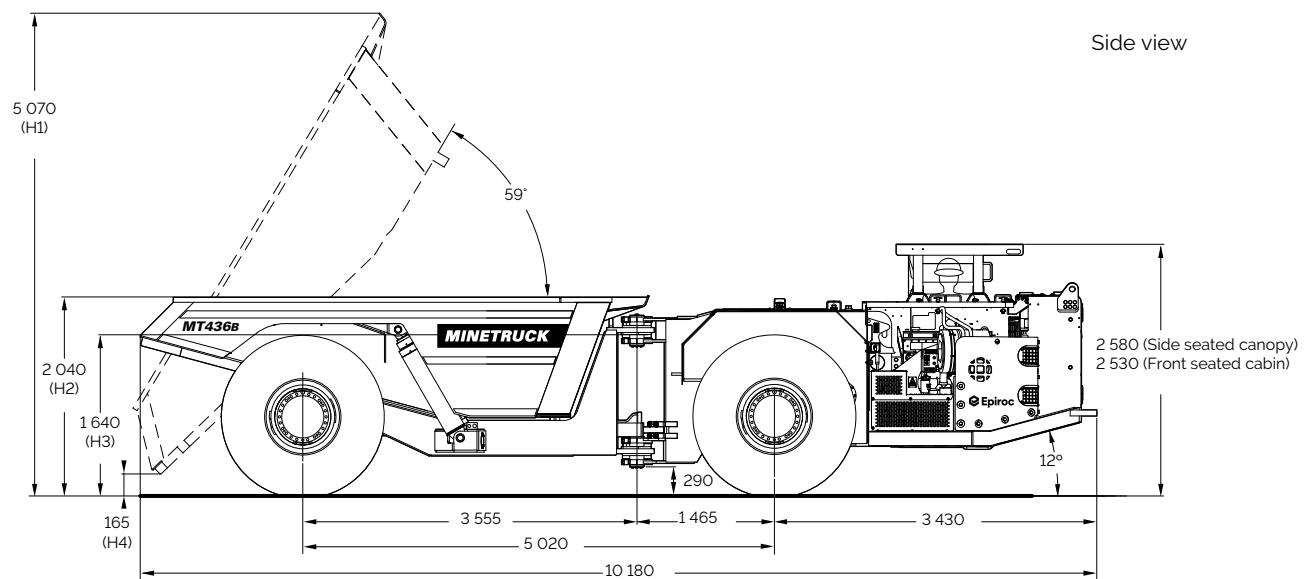


Measurements and weights



Dimensions

- Turning angle +/- 42.5°
- Turning radius left and right are symmetrical
- Dimensions shown are based on standard vehicle configuration, with loaded box with 25 mm tire deflection
- All dimensions are shown in millimetres



Side view

Dump and teletram boxes

		Dump boxes			STD		Teletram boxes*	
Volume, SAE heaped (m3)		20	18	16	14.5	12.5	21	14.5
Volume, semi-heaped (m3)		18.25	15.75	14	12.5	10.6	18.75	12.5
Volume, SAE struck (m3)		16.5	13.5	12	10.5	8.7	16.5	10.5
Maximum material density (t/m3)		1.6	1.8	2	2.2	2.6	1.1	1.9
Dump position: box height, max (mm)	H1	5 445	5 310	5 150	5 070	5 045	3 170	2 615
Load position: height side board / (TT push plate) mm	H2	2 520	2 360	2 150	2 040	2 010	3 085	2 449
Height rear end / (TT tailgate)	H3	1 900	1 900	1 636	1 636	1 636	2 163	2 150
Dump position: clearance (mm)	H4	240	240	160	165	160	-	-
Box width		3 050	3 050	3 050	3 050	3 050	3 355	3 205

*Teletram box has reduced capacity, different dimensions affecting turning radius etc. More sizes can be available, please consult Epiroc for more information.

9869 0075 01 B 2019-04 Orebro, Sweden. Legal Notice © Copyright, 2017, Epiroc Rock Drills AB, Orebro, Sweden. Any unauthorized use or copying of the contents or any part thereof is prohibited. Illustrations and photos may show equipment with optional extras. No warranty is made regarding specifications or otherwise. Specifications and equipment are subject to change without notice. Consult your Epiroc Customer Center for specific information.



United in performance. Inspired by innovation.

Performance unites us, innovation inspires us, and commitment drives us to keep moving forward. Count on Epiroc to deliver the solutions you need to succeed today and the technology to lead tomorrow.
epiroc.com

